

# VIP Club Newsletter

Electronic  
Edition

**VOLUME 32, NO. 03** <http://www.vipclubmn.org>.

**APRIL 2012**

The Number to call for information on Unisys Retirement Status and Benefits: 1-877-864-7972.

The Number to call for information on Lockheed Martin Retirement Status and Benefits: 1--866-562-2363.

|                     |   |            |
|---------------------|---|------------|
| Wednesday, April 04 | Board Meeting, Roseville                    | 10:00 a.m. |
| Wednesday, April 18 | Volunteer Breakfast Gina's Café Eagles Club | 9.00 a.m.  |

|                   |                               |            |
|-------------------|-------------------------------|------------|
| Wednesday, May 02 | Board Meeting, Eagan          | 10:00 a.m. |
| Wednesday, May 09 | The last walk thru of Plant 8 | 9:00 a.m.  |

## APRIL PROGRAM: ROSEVILLE VOLUNTEER BREAKFAST

On Wednesday, April 18<sup>th</sup> the VIP Club will host the annual Recognition Breakfast for VIP Club members who performed volunteer services in 2011. (Please see the “*Volunteer Hours Survey Form for Year 2011*” provided on Page 7.) The Breakfast will be held at Gina’s Café in the Eagles Club in New Brighton. The month of April is National Volunteer Month and our Breakfast honors all VIP Club members who perform volunteer services wherever they reside. We thank all VIP Club members for the many hours of volunteer services you provide each year. Last year, the 123 VIP Club members who responded to our 2010 Survey, donated over 26,000 hours to various organizations in Minnesota, Alabama, Arizona, California, Illinois, Nevada, North Carolina, Texas and Wisconsin.

Forty six members attended the Breakfast last year and we hope this many or more will attend this year. Please note that all members who respond to the “Volunteer Survey” are invited to attend this Breakfast. The Breakfast will be hosted by the VIP Club and will begin at 9 A.M. at Gina’s Café in the Eagles Club at 563 Old Highway 8 NW in New Brighton. Management

**VOLUNTEER SURVEY  
FORMS ARE DUE BY APRIL 4<sup>th</sup>  
(SEE PAGE 7)  
BREAKFAST IS ON APRIL 18<sup>th</sup>**

representatives from Lockheed Martin and Unisys will be in attendance as our guests.

## MAY PROGRAM: EAGAN

### PLANT 8 VISIT - THE LAST WALK THROUGH!

Anyone interested in visiting Eagan Plant 8 before it is



closed in April 2013 will have that opportunity on Wednesday, May 9. Lockheed Martin has invited VIP Club members, spouses, and friends to the monthly “What’s Brewing” get-together where employees enjoy free coffee and other refreshments. The event starts at 9:00 a.m. in the Atrium/Courtyard. This will give you time to generally renew old friendships from work – share what you’ve both been doing since you left, and hear about their future plans. Then a guided “walkabout” is planned for around 10:00 a.m., visiting some of the building’s remaining open areas including

offices, environmental test area, and the development & integration lab. Some of the building has already been vacated and closed, but there will still be plenty to see, and maybe even your old office or work area. After the



building walkabout, you can purchase lunch at the cafeteria before the tour continues at 1:00 p.m. to Villaume Industries, 2926 Lone Oak Circle, Eagan, to see their reconstruction of a WWII CG-4 glider. Villaume provided much of the wooden components for over 1,500 of the gliders that were assembled in the Northwestern Aeronautical Corporation factory on W. Minnehaha in St. Paul, which eventually became ERA/Univac's Plant 2 after the war.

For anyone wishing to visit Plant 8 this one last time, please RSVP to John Westergren at Lockheed Martin ([john.h.westergren@lmco.com](mailto:john.h.westergren@lmco.com) or 651-456-3380) by May 1. Visitors must be registered before their visit, and each person must bring proof of U.S. citizenship: either a passport or birth certificate. Parking is available in the Visitor Parking lot at the East entrance, accessible from Pilot Knob Road. John is also compiling the list of individuals interested in seeing the glider reconstruction. Please let him know if you're planning to go to Villaume at 1:00 p.m.

**To summarize, here's the information John Westergren needs by May 1:**

Name(s) \_\_\_\_\_  
 \_\_\_\_\_  
 \_\_\_\_\_

9:00 a.m. Plant 8 Yes  No   
 1:00 p.m. Villaume  Yes  No

**And remember to bring your passport or birth certificate to enter Lockheed Martin on May 9.**

**The proof of citizenship requirement is only satisfied by a U.S. passport or birth certificate. A driver's license is NOT sufficient.**



## PRESIDENT'S MESSAGE

### From: President Tom Turba

Chad Roberts, the director of the Dakota County Historical Society, gave an interesting presentation on what the Society does and their plans for displaying artifacts from Lockheed Martin and Unisys at their South St. Paul museum. For any of you that worked on the defense side of operations, it looks like there will be plenty of opportunities to help at the museum to get things displayed, catalogued, and to properly tell the story of Univac, Unisys and Lockheed Martin in the Twin Cities.

If you haven't already done so, turn in your volunteer hours for 2011 to Bernie Jansen and plan on coming to the Volunteer Breakfast to share your stories with others. I'm sure it will again be a great event.

I hope to see you at future Club events during the year.  
 Respectfully, Tom Turba, VIP Club President

## From the Editors



**Joe Schwarz** (651-698-9698) &  
**Brian Berggren** (651-451-9009)

**Address:** VIP Club, 1486 Fairmount Ave, St Paul MN 55105 e-mail: [vipclub2003@yahoo.com](mailto:vipclub2003@yahoo.com)

### The Newsletter Editorial Staff:

Bernie Jansen, e-mail [bjskj@msn.com](mailto:bjskj@msn.com)  
 Richard Lundgren, e-mail [rflundgr@aol.com](mailto:rflundgr@aol.com)  
 Don Naaktgeboren, e-mail [donfishn@yahoo.com](mailto:donfishn@yahoo.com)

## DINING CLUBS & GROUPS

### Breakfast groups and get-togethers:

**One breakfast group** meets monthly at 9:00 a.m. on the 2nd Wednesday of each month at the Gina's Café at the Eagles Club, Old Hwy 8, New Brighton. Phone: 763-416-3903.

**Another breakfast group** meets monthly at 8:00 a.m. on the 1st Thursday of each month at Joseph's Grill, 140

South Wabasha, (Wabasha and Plato) St. Paul. Phone: 651-222-2435.

**Luncheon Groups & Dinner Clubs:**

**One Unisys Luncheon group** meets monthly on the 2nd Wednesday at 11:00 a.m. at the Old Country Buffet, Holly Shopping Center, located at University Ave. and Mississippi St. just north of I-694. For information call 651-552-1465.

**Another Luncheon group** (engineering/drafting) meets monthly on the 1st Tuesday at 11:00 a.m. at the Old Country Buffet at 2000 S. Robert, West St. Paul. For information call 651-456-0750.

**And another Luncheon group** (Unisys and Burroughs) meets monthly on the 2nd Tuesday at 11:30 a.m. at the Mall of America 3rd floor North Food Court. We sit at the tables between the elevator and Burger King. For information call 952-854-7855.

**Dinner Club.** A Unisys Dinner Club meets monthly, from September through April, on the 4th Wednesday at 5:00 p.m. at Champs located at 35E and Larpenteur Avenue.

**MEETING & EVENT DATES 2012**

| Date           | Time             | Location     | Activity               |
|----------------|------------------|--------------|------------------------|
| Jan. 11, 2012  |                  |              | No Meeting             |
| Feb. 08        | 2:00 p.m.        | Rsvl         | Program - Social Time  |
| Mar. 14        | 2:00 p.m.        | Eagan.       | Program - Social Time  |
| Apr. 18        | 9:00 a.m.        | Gina's Cafe  | Volunteer Breakfast    |
| <b>May. 09</b> | <b>9:00 a.m.</b> | <b>Eagan</b> | <b>LM Walk Through</b> |
| <b>June 13</b> | <b>4:00 p.m.</b> | <b>Park</b>  | <b>VIP Club Picnic</b> |
| July 11        |                  |              | No Meeting             |
| Aug. 08        | 2:00 p.m.        | Rsvl         | Program - Social Time  |
| Sept. 12       | 7:00 p.m.        | Eagan        | Program - Social Time  |
| <b>Oct. 10</b> | <b>6.30 p.m.</b> | <b>Rsvl</b>  | <b>Social Program</b>  |
| Nov. 14        | 7:00 p.m.        | Eagan        | Program – Social time  |
| <b>Dec. 13</b> | <b>4:00 p.m.</b> | <b>USAF</b>  | <b>Christmas Party</b> |

**Note: Rsvl = Roseville, Roseville; Eagan = Unisys MACS Bldg.; Park = Highland Park Pavilion, USAF = OFFICERS Club at Fort Snelling.**

**WELCOME NEW CLUB MEMBERS**

Budd, Chuck & Cathy L New Brighton, MN.  
 Carlson, Daniel & Yvonne L Apple Valley, MN.  
 Gohman, John L Minneapolis, MN.  
 Joyce, Ed & Darlene U Hugo, MN.  
**U = Unisys B = Burroughs L = Lockheed Martin D = Unisys Defense Systems**

**IN REMEMBRANCE**

Arntzen, James E. – Age 67, of Blain, MN. He is survived by wife, Carol. James retired after 35 years of employment with Unisys.



Dunn Thomas G. - Age 74, of St. Paul, MN. Passed away on March 5, 2012. Survived by sister, Marguerite and niece, Rose. Tom taught computer fundamentals to almost everyone walking through the hiring door in the late 60s/early 70s. Tom was a Lockheed Retiree and VIP Club Member.



Eklund, Bernard James - Age 89, of St. Paul, MN. Passed away peacefully on March 2, 2012. He is survived by his beloved wife of nearly sixty-three years, Jewell. Bernard was employed by ERA, Univac and Unisys Corporation for more than 35 years.



Kelzenberg, Oliver - Age 81, of Shoreview MN. Passed away March 8, 2012. He is survived by his wife of 58 years, Donna. Oliver was a 30 year employee of Unisys and a VIP Club Member.

Langseth, LeRoy - Age 85, of Roseville, MN. Died peacefully on February 23, 2012. He is survived by loving wife, Lorene. LeRoy was a former Sperry/Unisys employee.

MacKenzie, Emmett - Age 88, of Rosemount, MN. Passed away peacefully at his home on February 25, 2012. Emmett worked at Unisys until 1989. He is survived by his wife of 57 years, Alma Pauline MacKenzie.



Oswald, Robert - Age 72, of Eagan, MN. Robert is survived by his wife, Lucy. Robert was a former employee of Unisys.

**ANNOUNCEMENTS & REPORTS**

**MARK YOUR CALENDAR – ROSEVILLE GOOD OLD DAYS REUNION**

Things are on track and more reservations are coming in daily for the Good Old Days Reunion on Friday, May 4th in the Atlantis ballroom on the lower level at the Mermaid in Mounds View. We will have the room from 10:30 a.m. to 3:30 p.m.

If you used to work in Roseville, have friends that did, or just like to get together with people that used to work for Univac/Unisys, this could be an event for you. An entry fee of \$1 will be charged to cover the room rental, but everything else is up to you. A selection of foods will be available at a reasonable cost and the bar will be



open. If you plan on attending and have not already done so, send a message to Tom Turba at TNTurba@Comcast.net so we can get a count of the number of people. Indicate if you plan on eating. This is again expected to be a very large event. Pass the word on to your friends and come together.

### WEB SITE REVIEW by Lowell Benson.

This is the twenty-third in the Article-for-the-Month review series for Club members who don't have immediate internet access. If you don't have internet in your home, you could go to the public library to re-read previous 'Articles for the Month', linked from <http://vipclubmn.org/documents.aspx>.  
 For January, 2011 - Posted by Lowell on 12 December, 2010 - A reprint of ERA document [XA19742](#) dated 12 December, 1950. The XA19742 paper and associated Technical Memorandum Cover Sheet came from Ed Nelson's archives. The Title is: "Communication Between Electronic Circuitry and Mechanical or Electro Mechanical Devices." F.C. Mullaney prepared the Memorandum; Task 13 Personnel developed the document under -3020-Task 13. The memorandum was delivered to BuShips (855) USNCML.  
 The content of the document included detail description of several vacuum tube based circuits, one of which is this Pulse Amplifier.

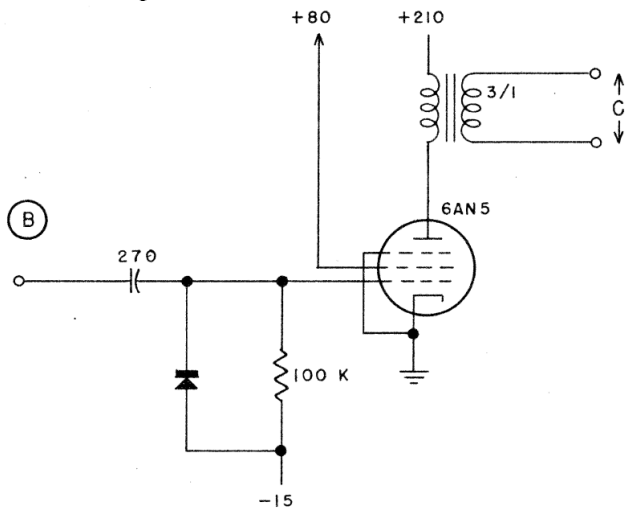


Figure 3 - Pulse Amplifier

The report also shows a flip-flop circuit, a multi-vibrator circuit, and a Print-Punch Register Element. All diagrams and functional descriptions would be somewhat interesting to Electrical Engineers of the '40s and 50s.

Historians, however would relish the names on the distribution list much more! The list is headed by J.E. Parker, W.C. Norris, and Knight Pryor. Three VIP Club octogenarians are there; Ed Nelson, Don Weidenbach, and Warren Burrell. I also recognized the name R.H. Sorensen, Bob was an Antenna Coupler mechanical engineering supervisor when I was hired in 1960. The

memorandum went to four people in Arlington; H.T. Engstrom, R.C. Bryant, L.R. Steinhardt, and R.E. Kilham. The other St. Paul people on the distribution list were: J.M. Coombs, J.H. Boekhoff, R.K. Patterson, W.F. Winget, W. Asmoth, V.A. Gill, D.I. Hinz, K.E. Johnson, D.C. Johnston, R.A. Madvig, W. Ogden, L.C. Pollock, D.H. Raudenbush, T.D. Rowan, G. Rowland, R.F. Thews, T. D. Thornton, F.E. Tidball, E. Tomash, and E.B. Zimmer.

From another source, I know that Frank Mullaney went with Bill Norris to found CDC. E. Tomash is credited with being a Charles Babbage Institute Founder – if any VIP Club readers recognize other names and could write a bit about them, please do so.

For February 2011, we posted "An [addendum](#) to the April '08 [Plated Wire Manufacturing](#) document by Larry Bolton and Clint Crosby." This addendum has five equipment photos – showing what was used in several stages of the plated wire manufacturing processes. The plated wire memory stack tester is shown here.



Larry and Clint wrote about a couple of the process steps as these machines began with 5 mil copper wire material to resulted in 18" lengths of plated wire which could be used in memory module assemblies. In today's vernacular we have flash drives, USB sticks, RAM, hard drives, etc. None of these technologies has the radiation resistance levels that were required for the Minuteman computers – met by the use of plated wire memory instead of the more susceptible core memory of that generation. Submitted by LABenson

**PRESENTATION REPORT:** On February 9<sup>th</sup> about 300 people attended the Thursday evening WW II monthly seminar, 'Code Breaking and Beginning of Computers'. For those of you who missed it, Colin Burke\* presented quite a few (about 65) photos while talking about the subject. He was followed by Lowell who presented part of our ERA history, finishing with the NTDS functionality which led to our Air Traffic Control systems. Then Bill Igoe and Don Weidenbach talked about their ERA experiences. Bill had been a

draftsman in the glider factory during WW II, then later a draftsman for ERA. Don Weidenbach gave a summary of his 30 year career which began in 1946 at ERA. VIP Club members who attended this WWII roundtable were Lowell Benson, Millie Gignac, Bernie Jansen, Jon Kinard, Ken Nelson, Pat Ryan, Tom Turba, Tim Wandersee, and Don Weidenbach. After the talks - Nick Linsmayer, President of Villaume Industries, invited the *VIP Club* to visit their facility to see a 'WWII Glider being reconstructed.' In the 40's, Villaume had provided most of the wood that went into the gliders built in the old plant 2 on Minnehaha Avenue. Northern Aeronautical Corporation in old plant 2 was the 2nd largest glider manufacturer in the US at that time. Some of those gliders were probably used on 'D-day' as the allies invaded France. Bernie, Dick, Millie, Tom, Phil and I had had a 'glider' preview on Feb 3rd - GREAT BIT OF WWII HISTORY.



\*Colin Burke co-authored *The Secret in Building 26: the Untold story of America's Ultra War Against the U-Boat Enigma Codes* (New Your, NY: Random House, 2004) If you recognize the names Howard Engstrom, William C. Norris, and Ralph Meader as being three of the four co-founders of ERA; all are part of this WWII history story. I found a copy in the Roseville library. Submitted by LABenson

**WEB SITE ADVISORY**  
**[HTTP://VIPCLUBMN.ORG]**

For the last 4.5 years, our 'free' web site host has been Microsoft Office Live; they've advised us that as of 30 April 2012 their hosting service will no longer be 'free'. We are evaluating costs and capabilities of alternate hosts; a first pass analysis reduced the possibilities from 30 to 14 candidate hosts. We expect to make a selection in March.

In order to implement a site content transfer, *we'll be off line from the evening of 5 April until someday the week of April 22*. If you have a need for any newsletter electronic copy or other web site document(s) during this time period, send a request to [labenson@q.com](mailto:labenson@q.com). Please annotate your e-mail control [spam] system to receive mail from this e-mail address should it be

needed for contingency electronic distribution of our May newsletter. Thanks, Submitted by LABenson

**VOTER ID AMENDMENT**

Check the League of Women Voters website at [lwvnmn.org](http://lwvnmn.org). From a 2006 Minnesota survey 11% of voters had no photo ID. Of those with no photo ID 18% were over 65, 15% earned less than \$35,000, 25% were African-American, 8% were white and 18% were between 18 and 24. In 2008 2,921,498 Minnesotans voted, with seven voter investigations (0.0002% of voters) and no convictions. Separately, Senator and ex-St. Paul Police Chief reported at a Senate hearing that any felon voting problem would not be fixed by a photo ID. Also check Amendment XXIV of our Constitution; for Federal office elections, there can be no tax – this means no fees and no costs. Submitted by Brian Berggren.

**SPORTS CONCUSSIONS**

Do you have grandchildren playing hockey or football? The 15 January 2012 issue of the American Family Physician states, "There is no evidence that protective gear prevents concussions. Helmets and mouth guards reduce risk of skull and dental fractures, but neither has been demonstrated to reduce the incidence of concussion (eight study citations)." Concussion is a disturbance in brain function caused by force to the head, with injury from shear stress to brain tissue caused by rotational or angular forces.

Also Scientific American (February 2012) has two articles on concussions. The first discusses childhood injuries and suggests that improved headgear may actually increase the incidence through a false sense of security. The second article is about pro football players and repeated concussion; the mental impairment is like punch drunk with depression, memory loss, erratic behavior, and early dementia. This is now called chronic traumatic encephalopathy and is recognized at autopsy. Many of the players now realize the high price many of them will pay for the big bucks and joy of the game.

At the high school hockey tourney game between Moorhead and Hill-Murray, one mid-rink head-on check had both players' bodies straight up with skates off the ice like the football receiver and back collisions. Commentator Lou Nanne thinks great hits and knocking players off the puck are essential to the game, seemingly more important than skating and passing. As long as the sportscasters tally hits along with shots and goals, not much is going to change, including the types of injuries. Submitted by Brian Berggren.

**VOLUNTEER SERVICE HOURS?**  
**SEND THEM IN NOW**

## NORWEGIAN SYTTENDE MAI LUNCH EVENT (May 17 or 18)

The annual Norwegian Syttende Mai lunch is set for Thursday, May 17, 2012. Come and enjoy with fellow Norwegian-Americans, friends, spouses and associates. The event is planned to take place at Casper's Cherokee Sirloin Room, 4625 Nichols Road, Eagan. If Casper's in Eagan is not yet reopened and operating in time, then our event will take place at the original Casper's Cherokee Tavern, 886 Smith Ave S, in W. St. Paul on Friday, May 18th. The cost will be \$15.00 for the buffet lunch with ribs, chicken, salmon, and beef stroganoff. The buffet will open at 11:15, and the program will start at 11:45. Reminiscing and socializing afterwards is open-ended and encouraged. To sign up or for other information, email Dale Torgerson at [dale.o.torgerson@gmail.com](mailto:dale.o.torgerson@gmail.com) (ph. 612-597-3714) or Dale Phelps at [rsanford@usfamily.net](mailto:rsanford@usfamily.net) (ph. 952-831-7843). Email is preferred. Watch for the next Newsletter which will confirm the date and location.

The speaker for this year's program will be **Kim Ode**, general assignment feature writer for the Star Tribune and a Norwegian American. Kim wrote a series of articles in the Strib related to the Minnesota visit of Norway's King Harald V and Queen Sonja. Kim had the interesting and privileged task of personally interviewing King Harald on the recent royal visit to Minnesota. She has a number of interesting tales related to the visit including preparation, security, protocol, conversations, etc., as well as her own trip to Norway. This opportunity might also put her first in line to do likewise with the Swedish royalty coming later this year.

## LEGACY PHOTO CATALOGING UPDATE

Thanks to the several volunteers who are lending their memories and expertise to help sort thru the thousands of photos we hope to catalog before donating them to the Charles Babbage Institute at the end of this year. Lockheed has provided us with a wonderful secure dedicated area in the Eagan facility, along with our own network of 15 computers, so volunteers can work on this effort whenever it is convenient for them.

This is a huge job, and we are under a serious time constraint – Lockheed needs to have us out by the end of the year. This means we need **LOTS** of help – all the photos will eventually go to CBI, but without some indication of what they represent, they become less useful to future researchers. We particularly need people who might recognize some of our older equipment, projects and facilities.

The work is easy and the hours are flexible. We have a regular schedule of working on the 2<sup>nd</sup> and 4<sup>th</sup> Tuesdays of the month, but the area is accessible anytime during

working hours, so round up some friends and make your own workgroup if you like. For further info, contact Harvey Taipale (651 7485083 or [hjtaipale@comcast.net](mailto:hjtaipale@comcast.net)). After coordinating access to Lockheed Martin, and a short familiarization session, you'll be ready to join in this worthwhile and fun project.



## REUNION 2012 WINNIPEG, MANITOBA

In the late Seventies, Sperry Winnipeg was created and together with its sister division in Eagan, MN many true friendships and professional camaraderie's emerged. Together we have made what is today Lockheed Martin, through partnership, respect, and renowned success we have truly established the future in defense systems.

For those folks that were involved in the legacy Sperry family the Winnipeg Reunion Committee extends an invitation to join us at the Sunova Centre located at 40 Holland Rd., West St Paul, MB, on August 11<sup>th</sup> 2012.

The Reunion Committee is planning a golf tourney on August 10<sup>th</sup> with Children Activities, if the demand is there, scheduled during the afternoon picnic event on Saturday starting at 2pm. The ticket prices are \$5Cdn/person for the picnic and \$35Cdn/person for the evening event. The Golf tourney price is TBA. The Winnipeg Reunion Committee has created a survey for those interested in attending, the weblink is [https://www.surveymonkey.com/s/Winnipeg\\_LM\\_reunion](https://www.surveymonkey.com/s/Winnipeg_LM_reunion)

We also want to collect information on how many are interested in joining us, including scheduling other activities, so that Reunion Committee can make the right plans. Additionally, for those interested Winnipeg's Folklorama is scheduled August 5<sup>th</sup> through August 19<sup>th</sup> which provides a multicultural venue along with entertainment.

The Reunion Committee would prefer your home email address as some company designated email servers' have spam filters set that automatically block certain emails.

If you want to let other friends and colleagues know about this great event, then please forward a note regarding our contact info. For additional information, we can be reached at [wpg.lm.reunion@gmail.com](mailto:wpg.lm.reunion@gmail.com).

Thank you for your participation and see you there!  
Submitted by the LM Winnipeg Reunion Committee.



The VIP Recognition Breakfast will be at 9:00 a.m. on April 18<sup>th</sup> at **Gina's Café, Eagles Club New Brighton**. Your Volunteer Survey Forms must be received by April 4th for Program 'names' listing.

| <b>VIP CLUB Volunteer Hours Survey Form for Year 2011</b>   |  |                                |
|---|--|--------------------------------|
| Member/Spouse Names _____   | Your City _____  | State ____                     |
| *Service Code   | Organization(s) your for which volunteer Services were performed | Member & Spouse Hours per line |
| **Please indicate how many of you will attend the volunteer breakfast.<br>Enter 0, 1, or 2: _____ |  | Total Hours: _____             |

- - - - - CLIP - - FORM - - ON - - THIS - - LINE, - The n - - - - -

Mail the form to Bernie Jansen 848 Ivy Lane Eagan, MN 55123-2425

**OR -**

E-mail your volunteer information directly to Bernie at [bjskj@msn.com](mailto:bjskj@msn.com). Providing the same information as detailed in the “**Volunteer Hours Survey Form**” above including how many will be at the breakfast on April 18<sup>th</sup>.

**OR -**

Go on-line to <http://vipclubmn.org>, scroll down to section 7 of the home page. First enter your first name, last name, and e-mail address into the first three boxes. Then enter your volunteer information into the message block providing the same information as detailed in the “**Volunteer Hours Survey Form**” above. Then click on the ‘Submit’ button.

\*VIP Volunteer Services Areas with Samples of Organizations in each Category:

| Code | Service Area  | Code | Service Area   |
|------|---|------|--|
| 1    | <b>Community and Related Services</b><br>AARP Volunteers<br>Civic/Government Support Services<br>Community Services<br>DARTS<br>Minnesota Senior Federation/VISTA<br>Scouts<br>Senior Centers<br>United Way | 2    | <b>Meals, Food and Housing Services</b><br>Dorothy Day Center<br>Food Services / Senior Dining<br>Habitat for Humanity<br>Loaves and Fishes<br>Meals on Wheels<br>Sharing and Caring Hands |
| 3    | <b>Health and Disaster Services</b><br>American Cancer Society<br>Arthritis Foundation<br>Courage Center<br>Red Cross & Bloodmobile Services<br>Signet Health & Rehab. Center                               | 4    | <b>Religious and Related Services</b><br>Basilica of St. Mary<br>Church Missions and Camps<br>Lutheran Missions<br>Presbyterian Homes<br>Related Charities                                 |
| 5    | <b>Schools and Educational Services</b><br>Historical Societies<br>Volunteer Services in Schools<br>Wright Brothers National Memorial   | 6    | <b>Music and Theatrical Services</b><br>Guthrie Theater<br>Northern Lights Variety Band<br>North Suburban Chorus   |
| 7    | <b>Other Services</b><br>Animal Humane Society<br>Law Enforcement Services<br>Small Business Consulting<br>Veterans & Armed Forces Support  |      | Juvenile Court Guardian<br>Mutual Interest Association<br>UNISYS & LMCO Legacy<br>VIP CLUB   |

Directions to **Gina's Café in the Eagles Club** are as follows: **Gina's Café in the Eagles Club** is located at 563 Old Highway 8 NW in New Brighton. To get there from I-35W take Co. Rd. D west to Old Highway 8 and go north about one mile. **Eagles Club is on right side** of Old Highway 8.

**VIP CLUB**  
**P.O. BOX 131748**  
**ROSEVILLE MN 55113-0020**

Special insert for electronic edition – Editors received this the day that the hard copy was printed.

**SPORTS AND RECREATION ACTIVITIES**

The new Unified Legacy Golf League is in place for the 2012 season. The Unisys Golf League web site is the home for information about the new league <http://www.umglmn.org/umgl/>. This golf web site provides on-line sign-up for tournaments and also has league/team/individual information. There is also a link to this site from the VIP Club web page under the “Recreation” tab.

The first scheduled tournament is UNISYS sponsored at Indian Hills in Stillwater on April 9. You can sign up for the tournament at the web site mentioned above if you are a member of either of the former UNISYS or Lockheed leagues. League play will start the first week of May and teams are currently finalizing rosters. We are using the UNISYS league membership format which allows a UNISYS, Lockheed or heritage company employee or former employee to add relatives, friends, and/or neighbors to their team roster. Team members will be getting detailed information through their leagues reps and team captains. Most leagues have slots available for additional teams or individuals. Team movement between leagues is also allowable.

The Trap and Skeet Club now has some information on the VIP web site so that you can find out more about this activity. Click on the “Recreation” tab at [www.vipclub.org](http://www.vipclub.org) to get to it. Trap and Skeet practice will start on April 3<sup>rd</sup> and 10<sup>th</sup>. Regular league starts on April 17<sup>th</sup>. More information will be available at the practice sessions.

For additional information contact Keith Behnke, VIP Club Director of Sports and Recreation and Vice President of the Unified Legacy Golf League, [keithbhnk@comcast.net](mailto:keithbhnk@comcast.net)

**VIP CLUB OFFICERS AND CHAIRPERSONS FOR THE YEAR 2012**

\* = A/C 651, + = A/C 612, @ = A/C 763, # = A/C 952

| <b>BOARD OF DIRECTORS:</b>                             | <b>ACTIVITY COORDINATORS</b>   | <b>ACTIVITY COORDINATORS</b>  |
|--|--|---|
| <b>OFFICERS</b>  | Volunteer Recognition Breakfast<br>Bernie Jansen..... *681-9988  | Picnic ..... Jim Larson *698-3963                                     |
| President..... Tom Turba *489-0779                     | Red Cross Blood Drive<br>.....   | Mature Voices MN. .... Brian Berggren<br>*451-9009                    |
| Vice Pres. Robert Hanson *633-4259                     | Recreation Leagues<br>Keith Behnke ..... *894-2182   | Sunshine ..... Jim Larson *698-3963<br>Lynn Farris Lindholm *484-1030 |
| Secretary.....Lynn Lindholm *484-1030                  | Membership.....Keith Behnke *894-2182  | Christmas .....Warren Becker #881-3516<br>& Marion Scott *455-7952    |
| Treasurer .....Harvey Taipale *748-5083                | Programs - Eagan and Roseville .....<br>Dale Phelps #831-7843  |   |
| Past Pres .....Lowell Benson *483-3709                 | Newsletter Editors.... Joe Schwarz *698-9698<br>& Brian Berggren *451-9009<br>email address: vipclub2003@yahoo.com |   |
| <b>DIRECTORS</b>                                       | <b>WEBMASTER</b> Lowell Benson 651-483 3709  |   |
| Director ..... Dale Phelps #831-7843                   |  |   |
| Director .....Keith Behnke *894-2182                   |  |   |
| Director .....Joseph Schwarz *698-9698                 |  |   |
| Director .....Brian Berggren *451-9009                 |  |   |
| UNISYS Liaison, Roseville ..... Sue Carrigan *635-7712 | Lockheed Martin, Eagan Liaison.....John Westergren *456-3380   |   |
| Printing & Mailing UNISYS Print Shop, Roseville.....   |  |   |

**Directions to Unisys MACS Bldg. in Eagan.** Take Hwy 35E south or north to Pilot Knob Road. Turn left (north) on Pilot Knob Road. Turn left on Tower View Road. The Unisys MACS Bldg. is at 3199 Pilot Knob Road.

**Directions to Unisys in Roseville.** Take Hwy 35W south, or north, to the Industrial Way / St. Anthony Blvd off ramp. If coming north or south on Hwy 35E go west on Hwy 36 which will take you to the Industrial Way / St. Anthony Blvd. off ramp of 35W (Hwy 36 becomes Hwy 35W where it joins Hwy 35W). Go north on St. Anthony Blvd. to Walnut St. (the first street on the right). Turn right and go to Walnut Street. It is the first place where you can turn left. Then turn left onto Terminal Road. Then turn right at Highcrest Rd. to building entrance. From Hwy 280 northbound, use left lane exit just past Cty Rd B for Terminal road access (St Croix St.). Turn left at Terminal Rd, then turn right at Highcrest Rd to building entrance.”