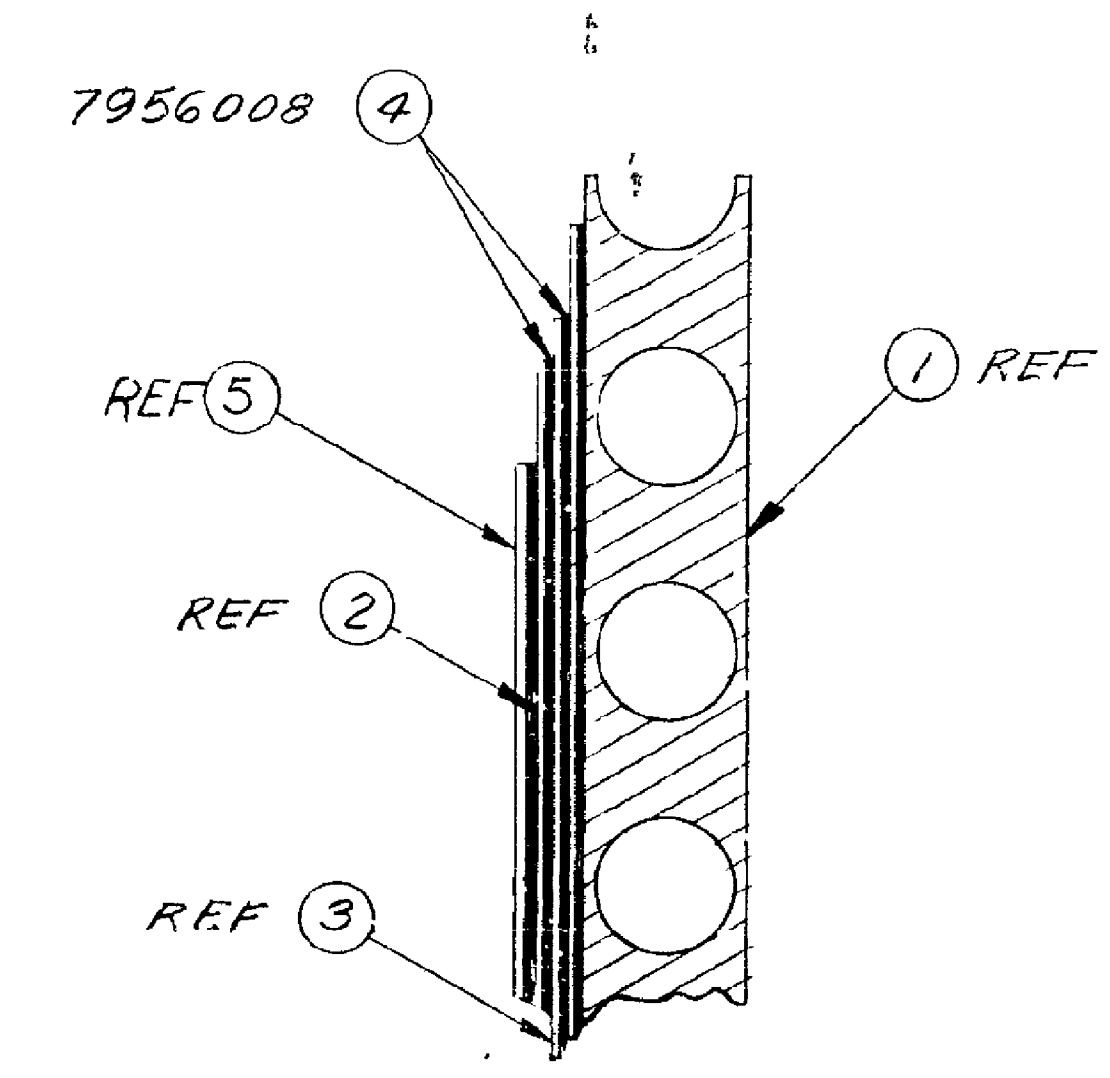
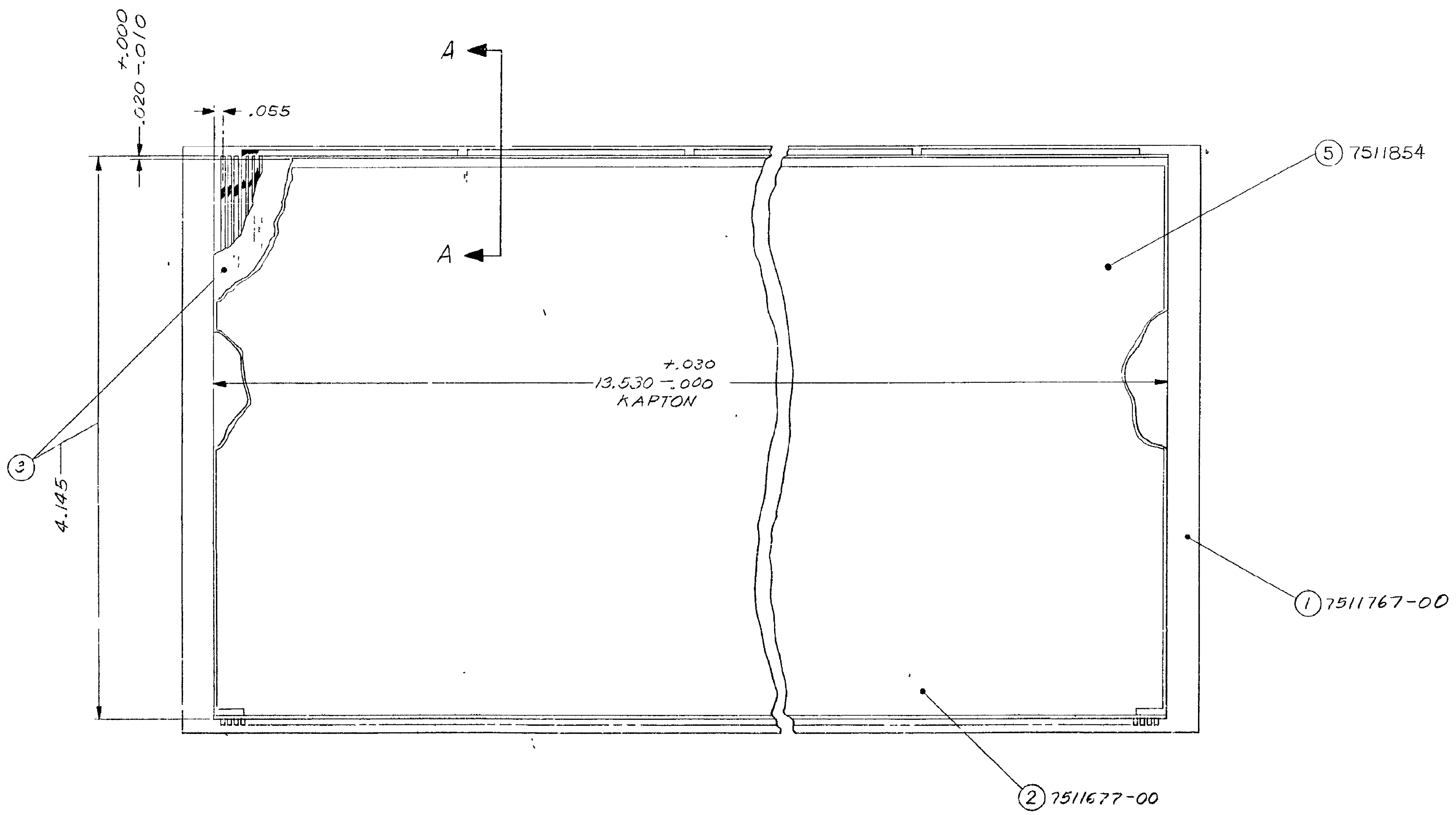


REVISIONS						
ZONE	LTR	EIR	DESCRIPTION - FOR DETAILS SEE EIR	CHK	DATE	APPROVED
	A	26941-127	PIC: ADDED (5) 7511854, NOTE 2 ADDED (5), PL ADDED ITEM 5		3/18/71	22E 3/18/71

- NOTE:
- IDENTIFY PER ITEM 501
 - BOND ITEMS 1,2,3,4,5 TOGETHER USING ITEM 4. MAX ADHESIVE THICKNESS TO BE .0005
 - WORKMANSHIP PER UNIVAC MANUFACTURING WORKMANSHIP STANDARDS MANUAL.



SECTION A-A
SCALE 100/1

DRAWING UNDER
EIR CONTROL

RELEASED

PART NO. 7511745-00
IDENT NO.

FOR MATL REQUIREMENTS SEE L/M,
L/M REV LETTER CONTROLS DOCUMENT.

UNLESS OTHERWISE SPECIFIED		LAYOUT	DATE	CLASS	UNIVAC FEDERAL SYSTEMS DIVISION DIVISION OF SPERRY RAND CORPORATION
DIMENSIONS IN INCHES TOL. ON 2 PLACE 3 PLACE ANGLES		J. ILLI	3/17	D	
DECIMALS	DECIMALS	DRAFTSMAN			TITLE
+ /	+ .010	D. NELSON	3/18/71		TUNNEL ASSY
- /	- .010	CHECKER			
HOLE DIA. TOL.		ENGINEER			
0 THRU .251	.251 THRU .501 AND LARGER	[Signature]	3/18		
+ .003	+ .005	APPROVAL			
- .002	- .003	[Signature]	3/18		
THREADS. EXT. CL 2A, INT CL 2B					SIZE
COMMODITY CODE					D
					CODE IDENT.
					90538
					DWG NO.
					7511745
					SCALE 2/1
					WEIGHT
					SHEET 1 OF 1

DO NOT SCALE THIS PRINT