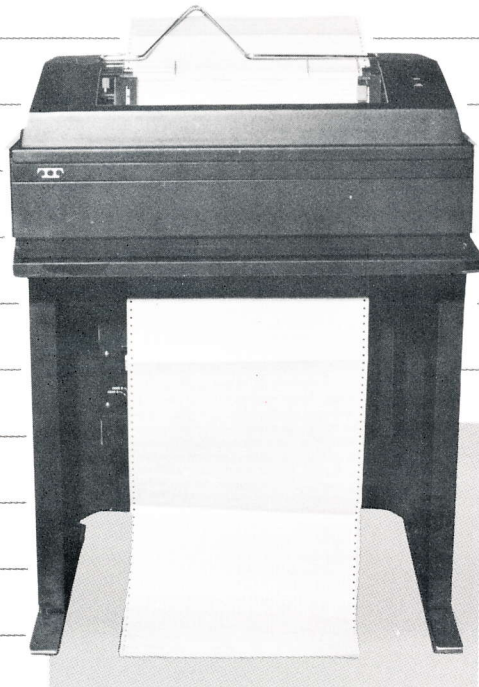


Medium Speed Printer (MSP) And Controller (MSPC)



■ 300 lines per minute ■ 132 characters per line ■ Low cost, belt type, impact printer ■ Dual channel IOP interface ■ Clear, crisp printing on single or multicopy ■ Parity checking at the interface ■ Easy to operate and maintain.



Features

Medium Speed Printer (MSP) Characteristics

Pedestal mounted Teletype* Model
40 Line Printer
Belt type impact printer
Character code: ASCII monospace
64 character subset
132 characters per line
300 lines per minute
Tractor feed
Operator adjustable form length
and width
Paper type:
Standard fan fold forms from
4-1/8 inches to 15 inches wide,
2-1/2 inches to 22 inches in
length and up to 6 ply thickness
Paper advance 5 inches per second

Medium Speed Printer Controller (MSPC) Characteristics

Dual channel capability to permit
interfacing with two Sperry
Univac® Input Output Processors
(IOPs)

Interface:
Type A compatible (Univac
Specification SB-10205, Rev. B)
7 bit parallel interface (6 bits plus
parity)
Old parity
Computer controlled print functions
Status reporting to computer
Mounted on printer pedestal

Physical

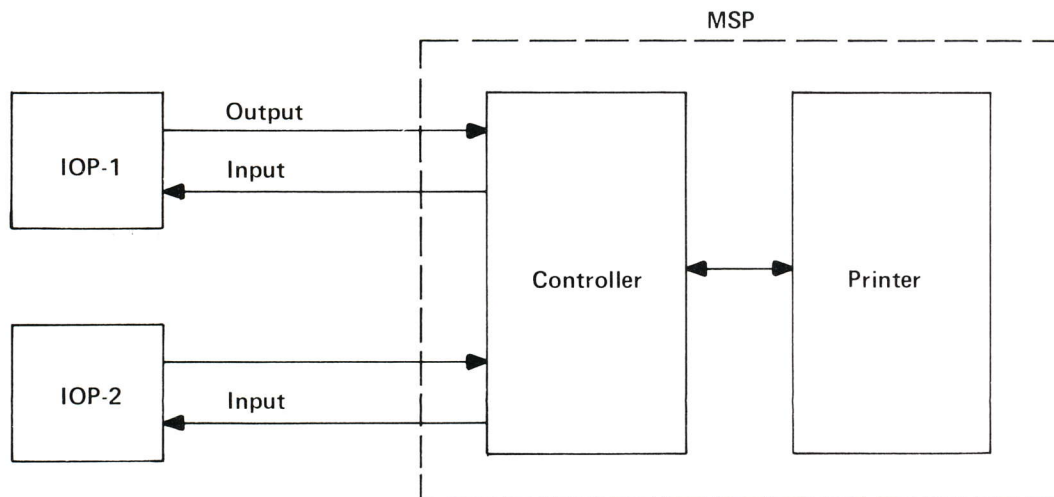
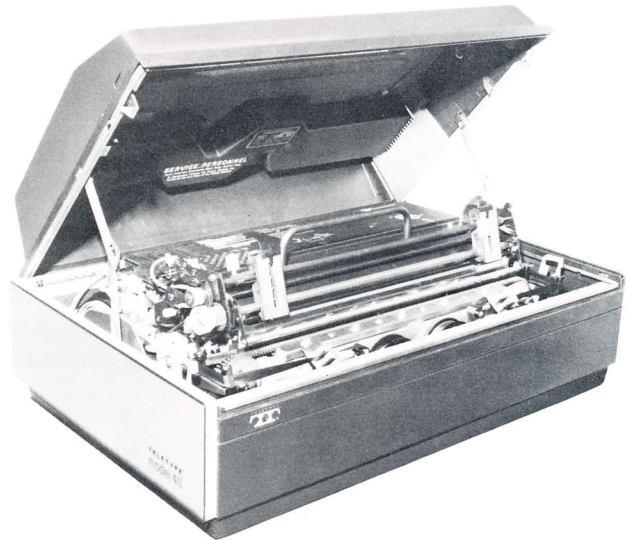
Voltage — 120 volts, single phase
Amperes — 3.6 amps
Power — 300 watts
Frequency — 60 Hz
Operating temperature +40° F to
110° F
Relative Humidity — 20% to 95%
(non-condensing)

Size: (inches)
Height — 36.5
Width — 27.6
Depth — 17.4

*Registered trademark of Teletype
Corporation.

Applications

- Small or large scale computer systems
- On-line system monitor
- Data or program listing
- Air Traffic Control System Peripheral



MSP INTERCONNECT DIAGRAM